



PROJECT		REF		REV	ITEM CODE	
LOCATION		DATE			PAGE	

SANITARY WARE SPECIFICATION SHEET

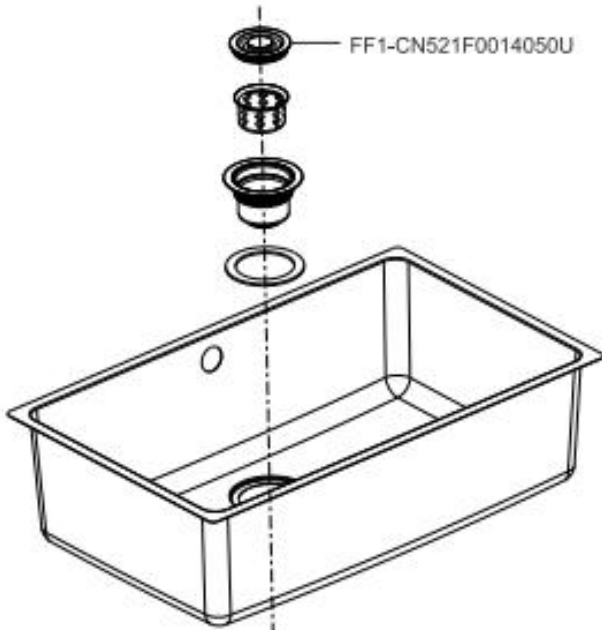
Item Descriptions	Illustration/ Drawing
<p>American Standard (PRC) Stainless steel in grade 304 one-bowl undercounter sink</p>	
<p>Dimensions L748 x W457 x H220 mm (Bowl)</p>	
<p>Model 101372MS00</p>	
<p>Material Stainless Steel 304</p>	
<p>Finish Satin</p>	
<p>Manufacturer American Standard (PRC)</p>	
<p>Source Acme Sanitary Ware Co. Ltd Mr. Eric Wong/ Mr. Don Yuen</p>	
<p>Contact Tel/Fax (852) 2388-7171 / (852) 2710-8012</p>	
<p>E-mail acme@acmesanitary.com.hk</p>	
<p>Website www.acmesanitary.com.hk</p>	
<p><u>Detail specifications</u></p> <ul style="list-style-type: none"> Under Counter Design One-bowl Sink High Quality SUS304 Stainless Steel Strong Ability for Anti-corrosion and Anti-oxidation High-end satin finish / Deep flap design Rearward- waste design Capacity (to overflow): 42L With SUS304 drain and PP Material Waste SUS304 sheet thickness 1.2mm With box packaging / Product weight: 6.5 kg Standards Criteria: Q/ASJM 004-2023 	

Note: Bottle trap is excluded.

* All information of the above is for the reference only. No prior notice is made if any changes.

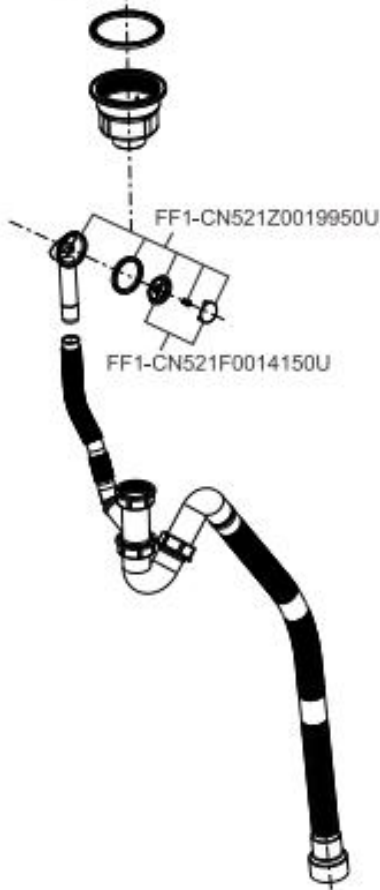


SANITARY WARE SPECIFICATION SHEET



1010-1

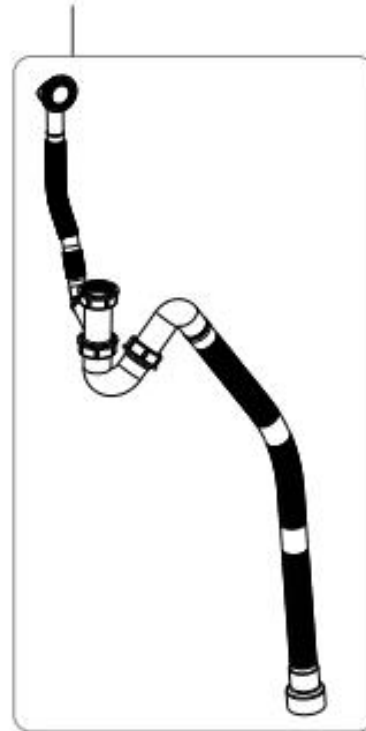
Compatible with 1/2" anti-siphonic bottle trap
(Bottle trap shall be bought seperately)



FF1-CN521Z0019850U



FF1-CN521T0009099U



Note: Bottle trap is excluded.